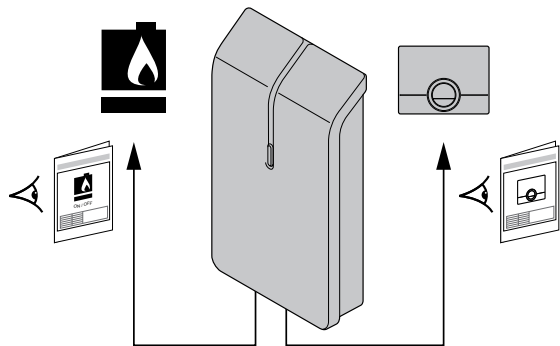
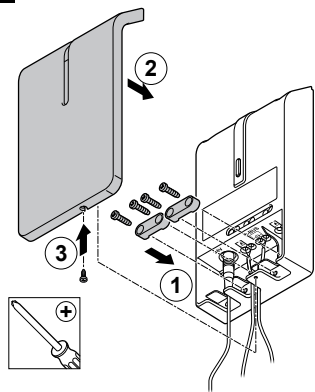


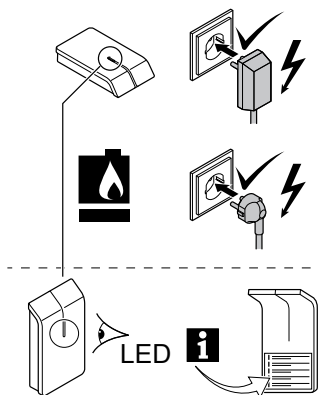
7



8



9



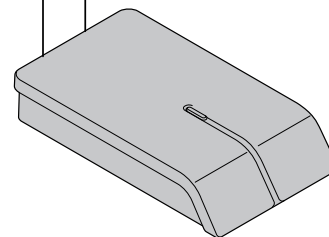
Gateway 16

Installation manual

Installatiehandleiding • Manual de instalación • Installationsanleitung
 Manuel d'installation • Manuale d'installazione • Instalação manual



Read and keep this manual • Lees en bewaar deze handleiding • Lea y mantenga esta manual
 • Bitte diese Anleitung lesen und aufbewahren • Lire et conserver ce manuel
 • Leggi e conserva questo manuale • Leia e guarde este manual



Input	24V, 4W
R-BUS	24V, 100mA
ON/OFF	Max. 70W 30 VDC 230VAC
Open Therm	4.0 compliant
Temperature	0°C - 60°C
Insulation Class	IP21

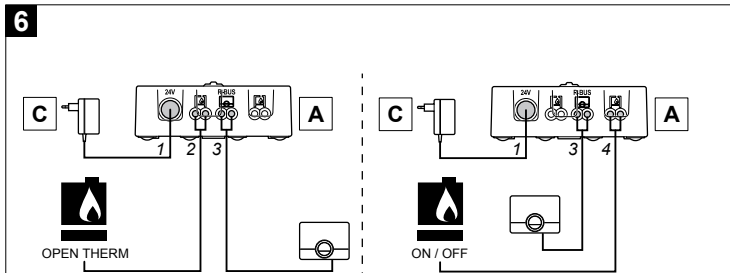
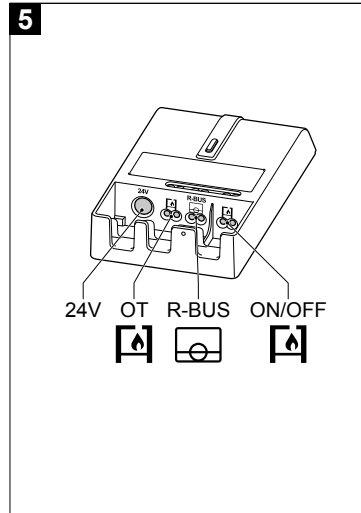
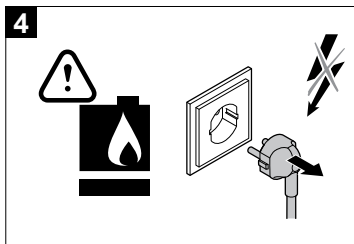
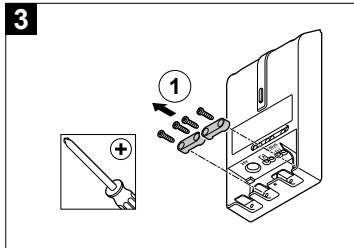
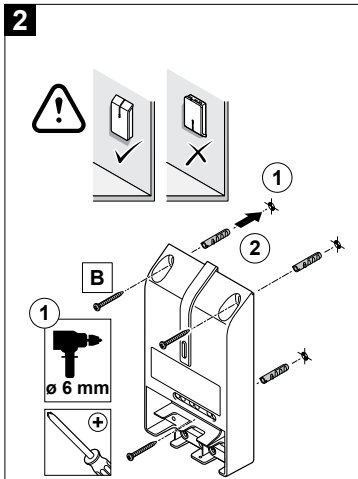
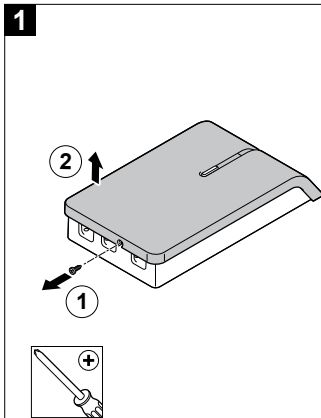
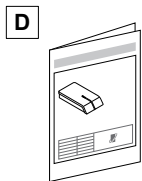
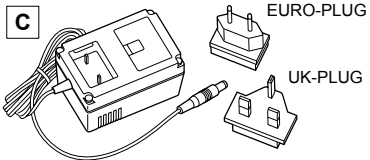
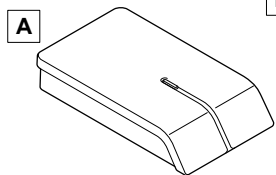


ON / OFF



OPEN THERM

Set contents
 Inhoud doos
 Contenido
 Set Inhalt
 Composition du kit
 Contenuto del kit
 Conteúdos



Terminal-connector:

Aansluitconnector:

Conectores:

Schraubklemme:

Connecteur:

Morsettierra - Connettore:

Conectores:

1: 24V Power supply

2: OT controlled boiler

3: Room Unit

4: ON/OFF controlled boiler